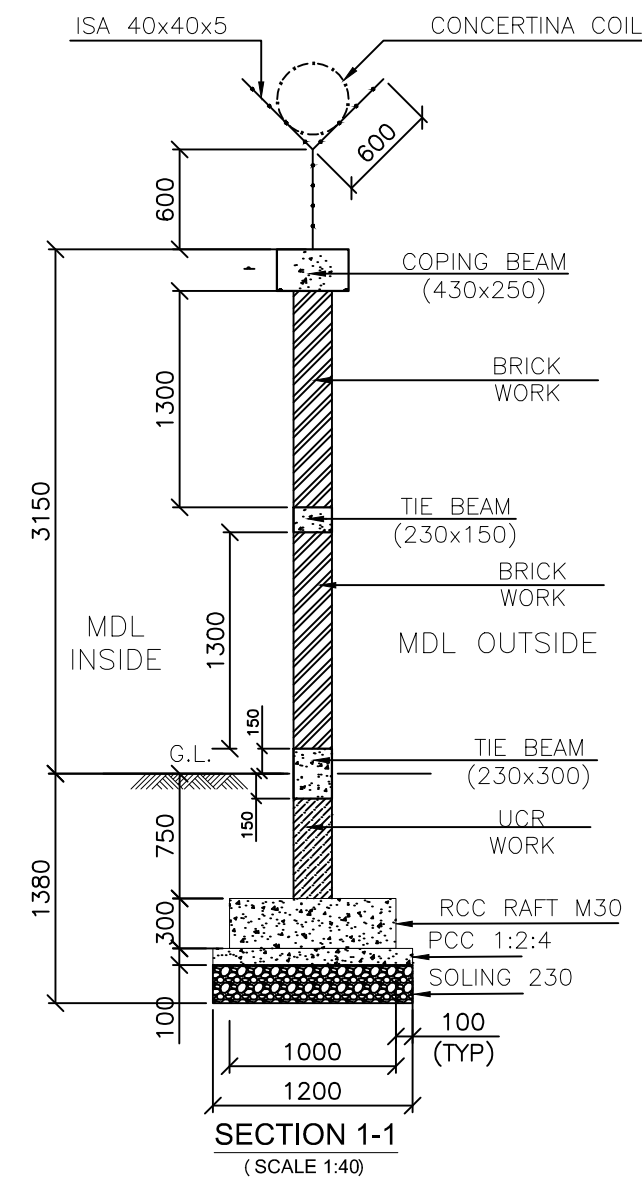
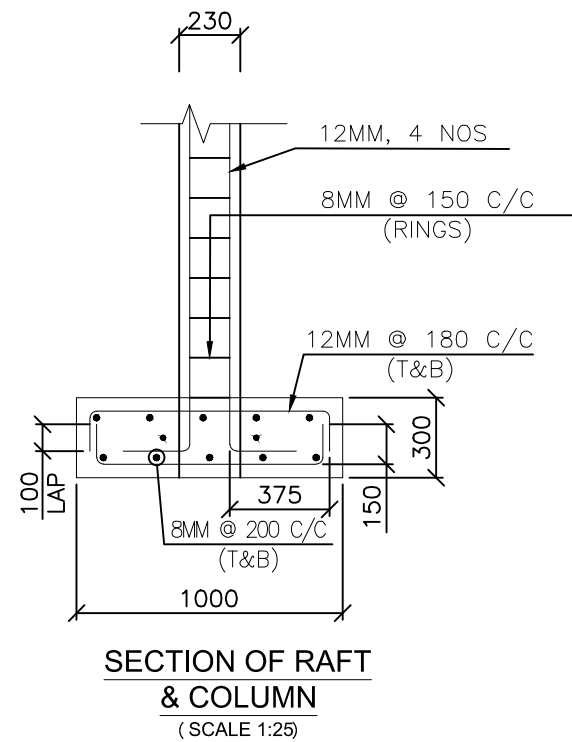
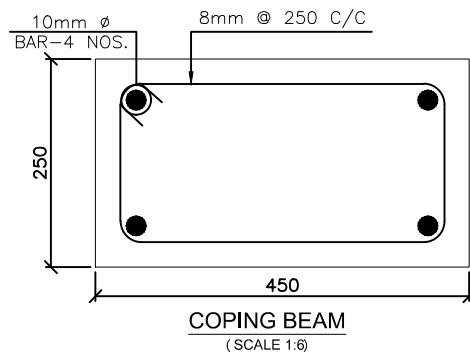
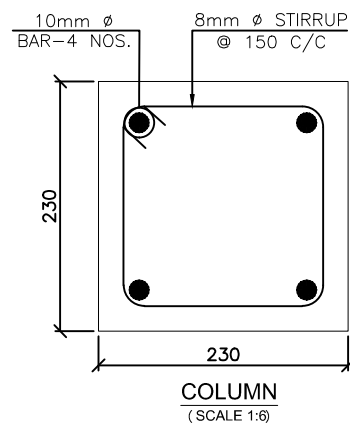
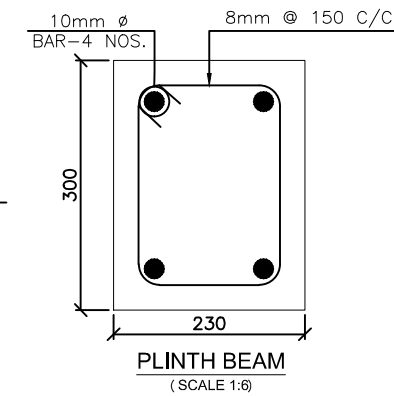
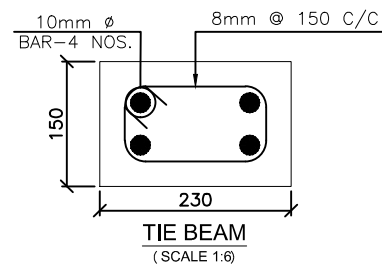


ELEVATION OF BOUNDARY WALL AT ANIK YARD
(SCALE 1:40)


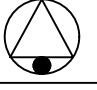


LEGENDS:-

- G.L.-----GROUND LEVEL
- TYP.-----TYPICAL
- PCC -----PLAIN CEMENT CONCRETE
- (T&B)-----TOP & BOTTOM

NOTE:-

- 1) ALL DIMENSION ARE IN MM.
- 2) PROVIDE EXPANSION JOINT AT EVERY 30M.

 MAZAGON DOCK SHIPBUILDERS LIMITED DOCKYARD ROAD, MUMBAI 400 010				
N	TITLE			
	PROPOSED LAYOUT OF BOUNDARY WALL AT NHAVA YARD			
DRAWN BY	ABW	DRAWING NUMBER:		
CHECKED BY	ABW	TS/CV/NY/ABW/01/RO		
APPROVED BY	-	DATE 01.10.2019	SCALE: 1:40	A3