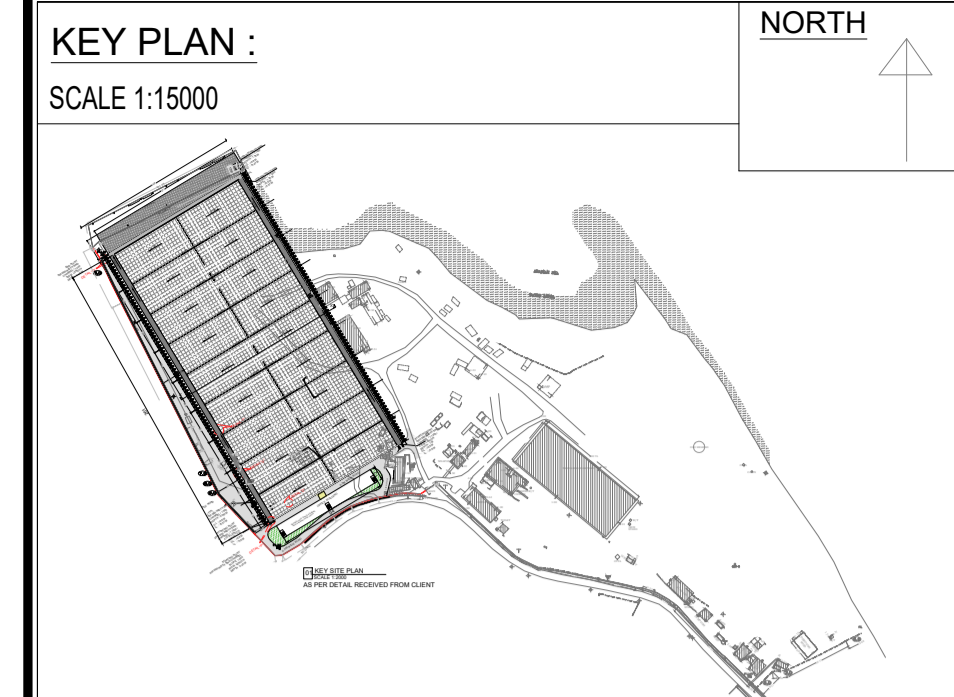
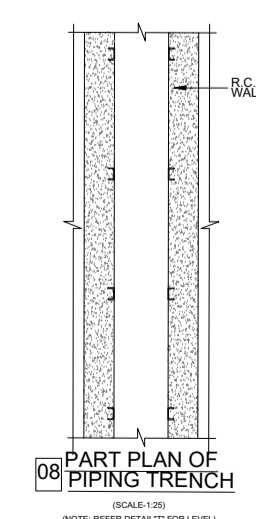
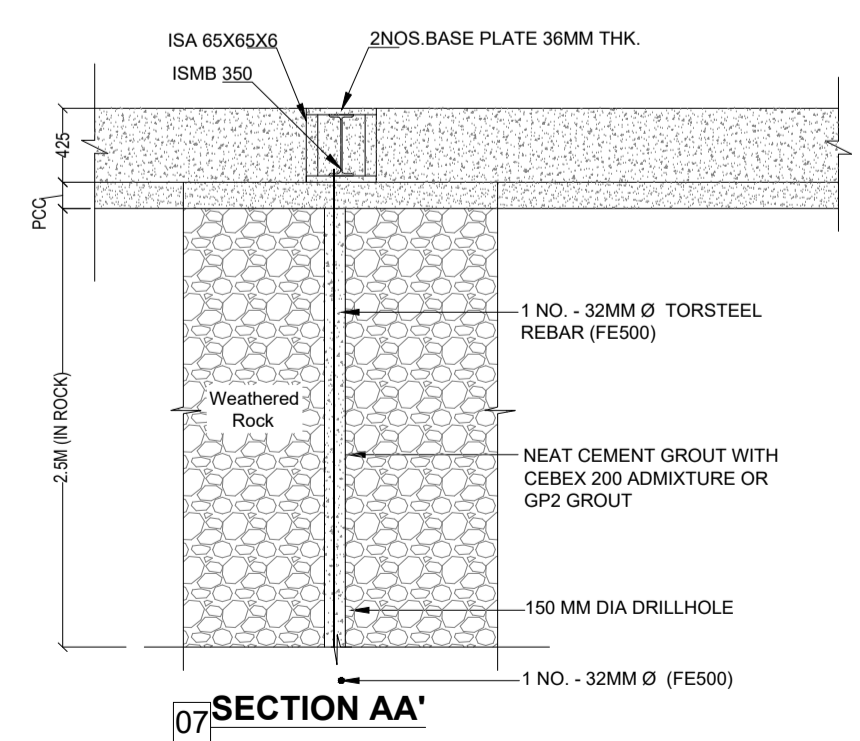
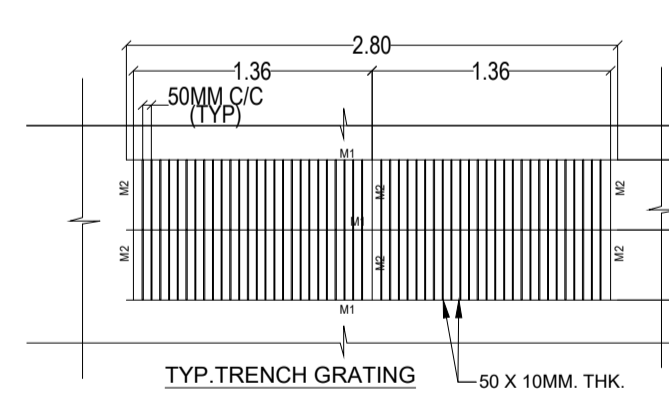
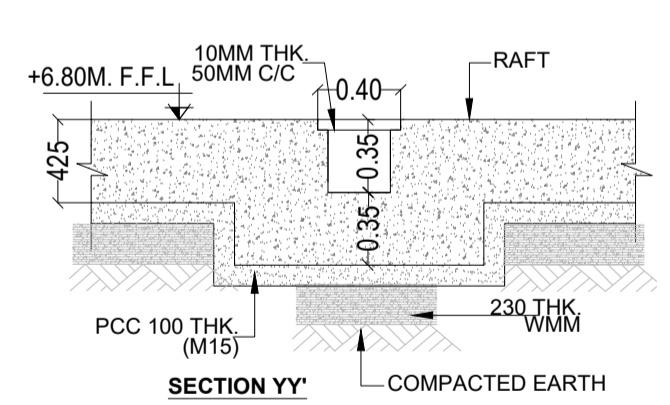


01 KEY SITE PLAN
SCALE 1:2000
AS PER DETAIL RECEIVED FROM CLIENT



- RELEASED FOR
- APPROVAL/REVIEW
 - REFERENCE
 - TENDER
 - PROCUREMENT
 - EXECUTION
 - AS BUILT

GOOD FOR CONSTRUCTION

PROJECT MANAGER

- NOTES :
- ALL DIMENSIONS ARE IN M. UNLESS OTHERWISE SHOWN.
 - DIMENSIONS SHOWN ARE FROM UNFINISH SURFACES, UNLESS MENTIONED.
 - DRAWING SHOULD NOT BE SCALED.
 - CONTRACTOR SHALL VERIFY ALL EXISTING DIMENSIONS AND CONDITIONS, IF DISCREPANCIES ARE FOUND, NOTIFY ARCHITECT BEFORE PROCEEDING WITH WORK.

- REFERENCE DRAWINGS:
- STR WD 003 R1 TRENCH
 - 2.23123_PHE_EXTERNAL LAYOUT -R1

REVISIONS:

REV. NO.	DETAILS	DRN BY	CHKD BY	VERIFIED BY	DATE
D0	FIRST ISSUE	M.P.	A.K.	KAR	22.11.2023
D1	REVISED SWD LAYOUT AS PER MEP DRAWING	M.P.	A.K.	KAR	06.12.2023
D2	REVISED HARD STAND LAYOUT WITH OFFICE BUILDING	M.P.	A.K.	KAR	15.12.2023
D3	REVISED HARD STAND LENGTH TO 138.5M AS PER CLIENT REQUIREMENT ADDED SWD NEAR COMPOUND WALL	PB	A.K.	KAR	21-12-2023
D4	REVISED AS PER CLIENT COMMENTS	PB	A.K.	KAR	04-01-2024
D5	REVISED AS PER CLIENT COMMENTS ON 10-01-2024	PB	A.K.	KAR	11-01-2024
D6					
D7					
D8					
D9					

CLIENT : MAZGAO DOCK SHIP BUILDERS LTD. NHAVYA SEVA., RAIGAD

CONSULTANT : **STRUCTWEL DESIGNERS & CONSULTANTS PVT. LTD**
 STRUCTWEL, PLOT NO-15, SECTOR-24, OFF SION PANVEL HIGHWAY, TURBHE, NAVI MUMBAI - 400 705. PHONE : 2784 1010 (7 LINES) FAX : 91-22-2784 1007

PROJECT TITLE : SHORT TERM DEVELOPMENT AT MDL NHAVA YARD, RAIGAD

DWG. TITLE : LAYOUT & DETAILS OF TRENCH

DRN.BY	M.P.	CHKD BY	A.K.	VERIFIED BY	K.A.R.
JOB NO.	SCALE	DATE			
23123	AS SPECIFIED	22-11-2023			
DRG NO.	SIZE	SHEET DETAILS		REV.	
ARC/CD/001	A1	2 OF 2		D5	