

SCHEDULE OF BEAM

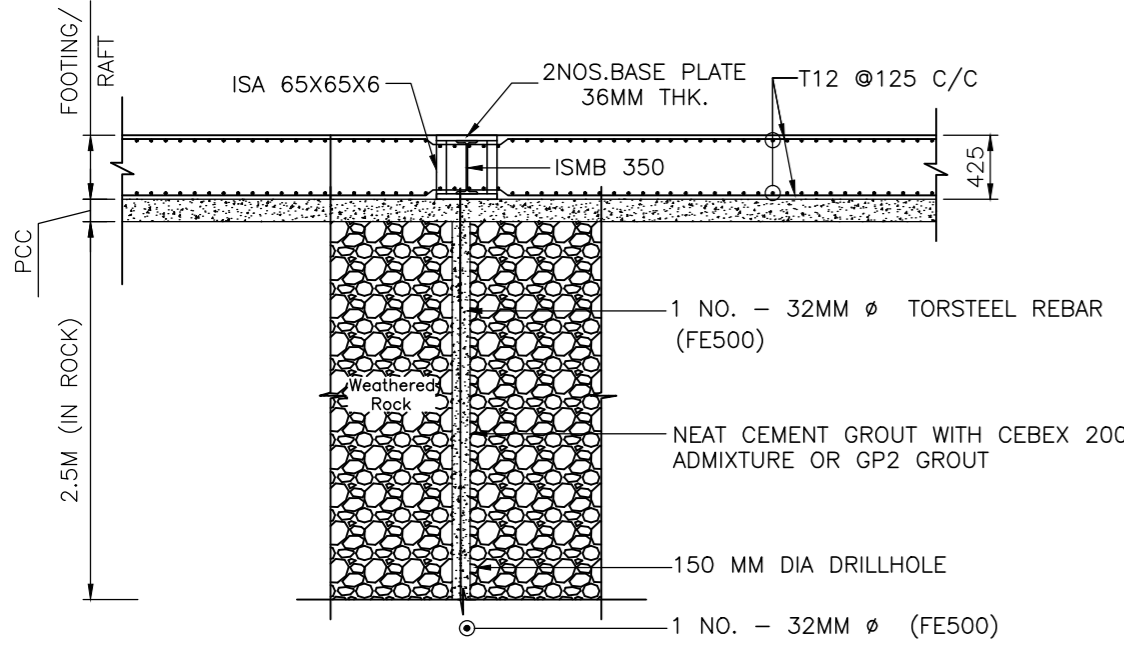
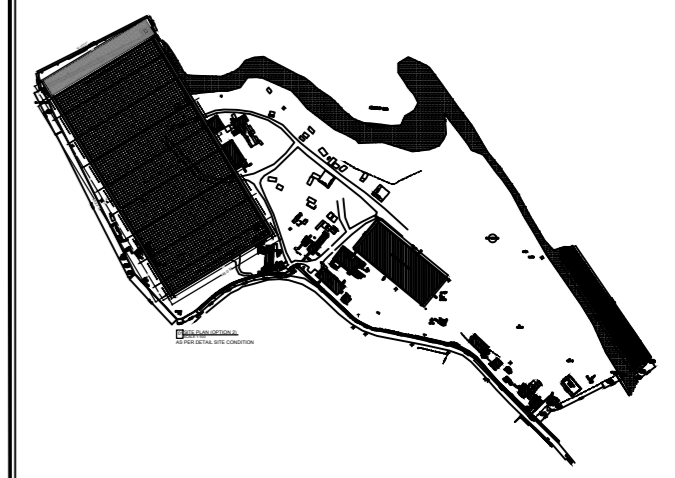
BEAM NUMBERS	SIZE		BOTTOM REINFORCEMENT		TOP REINFORCEMENT			SHEAR STIRRUPS	REMARKS
	B	D	STRAIGHT	CURTAILED	STRAIGHT	EXTRA LEFT SUPP	EXTRA RIGHT SUPP		
B1	700	750	+ 6-T25 6-T20	-	6-T20	-	-	4L-T16@125 C/C	-
B2	700	750	+ 6-T25 6-T25	-	6-T20	-	-	4L-T16@125 C/C	CANTILEVER

PILE CAPACITY

PILE LENGTH[M]	PILE SOCKET LENGTH[M]	DIAMETER OF PILE[MM]	ALLOWABLE COMPRESSIVE CAPACITY [T]	ALLOWABLE UPLIFT CAPACITY [T]	ALLOWABLE SHEAR CAPACITY [T]	REMARKS
10.0	1.5	750	191	67	28	-

KEY PLAN :

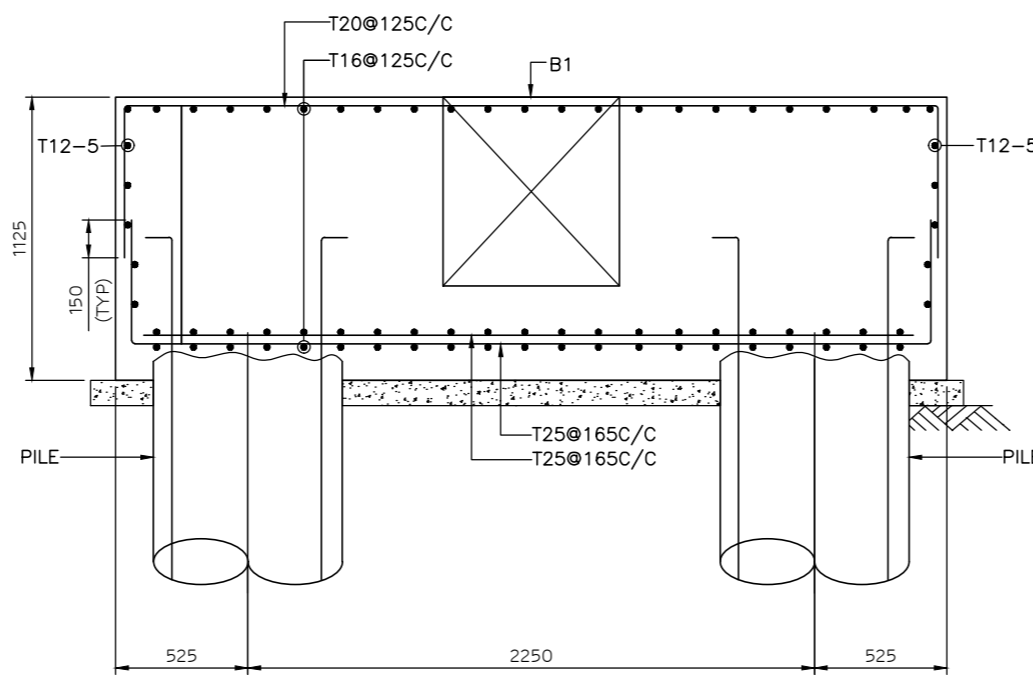
SCALE-NTS



SECTION A-A

(Scale-1:50)

NOTE - ANCHORS SHOULD BE SPACED MINIMUM 1 C/C.

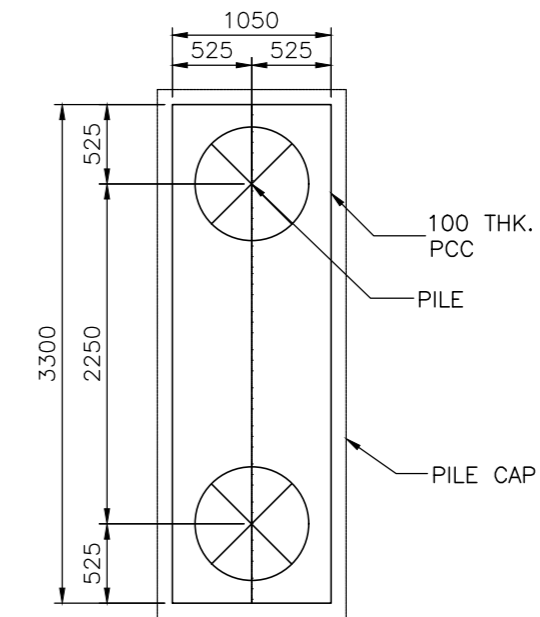


(TYP.) PILE CAP SECTION

[SCALE 1:30]

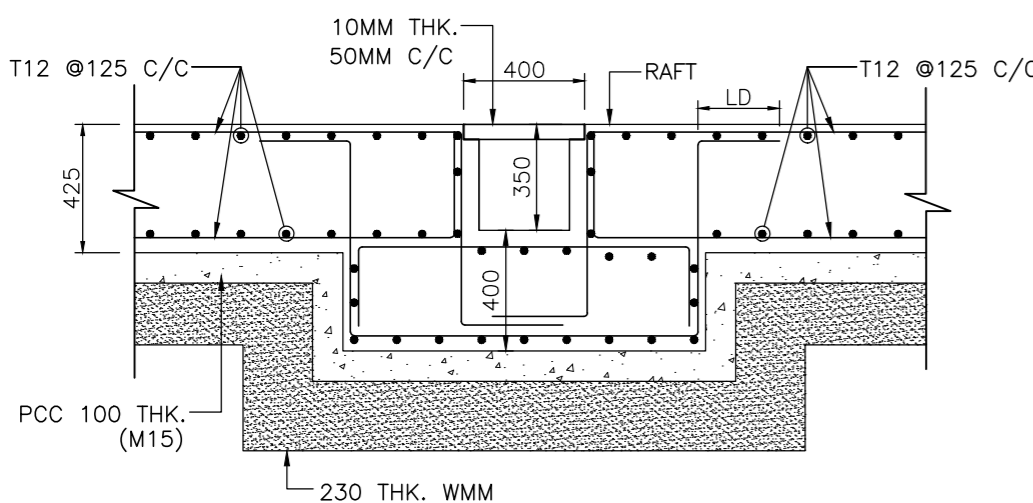
LEGEND

SR. NO.	MEMBER MARKED	MEMBER SIZE
1	M1	ISMB 300
2	M2	ISMB 150
3	M3	ISMC 100



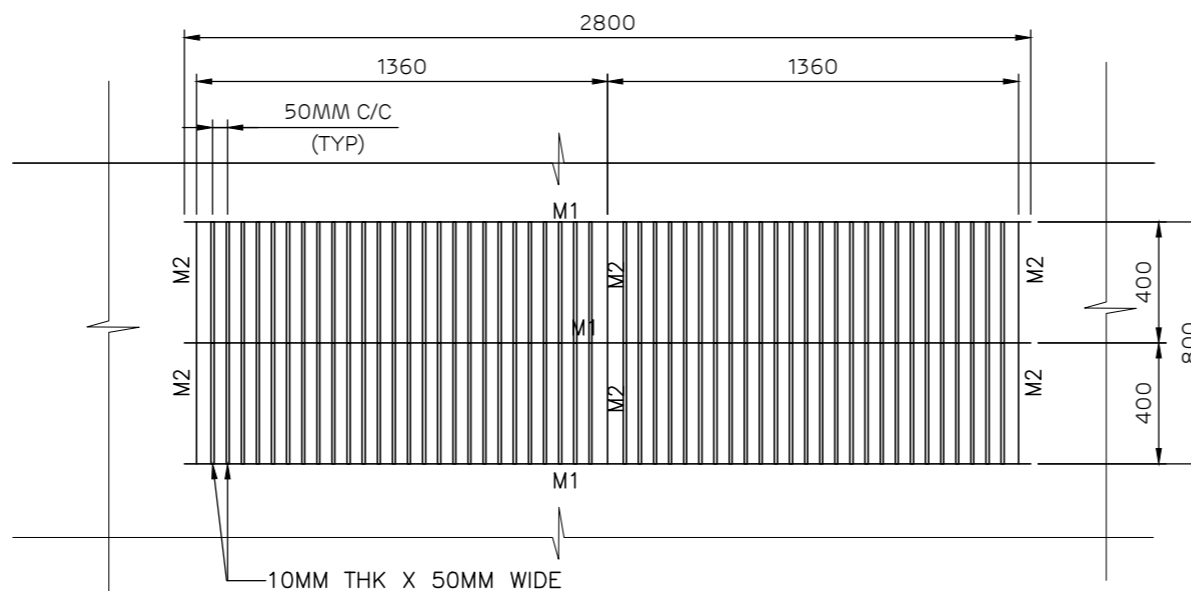
TYPICAL DETAIL OF 2NOS. 750Ø PILE FOR PILE CAP-PC1 (TYP)

[SCALE 1:50]



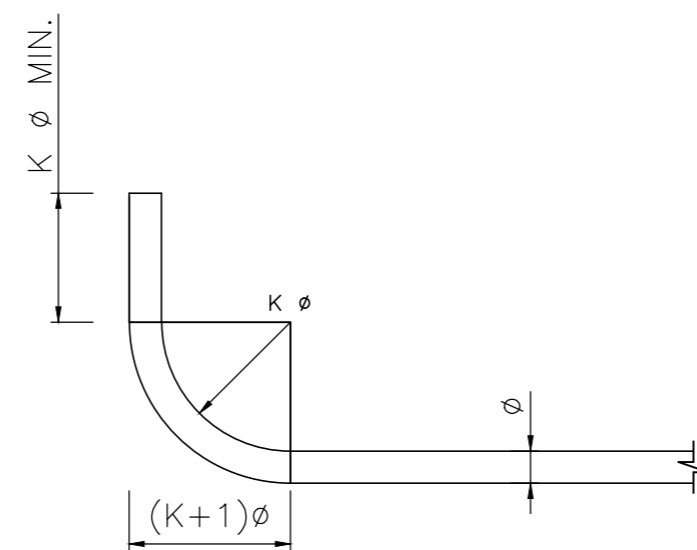
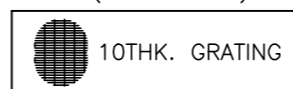
SECTION 3-3

(SCALE 1:25)



PART PLAN OF DETAIL B FOR TRENCH GRATING

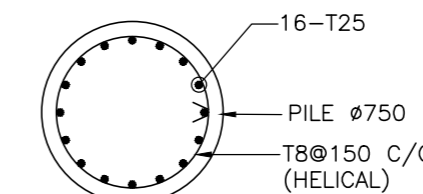
(SCALE-1:25)



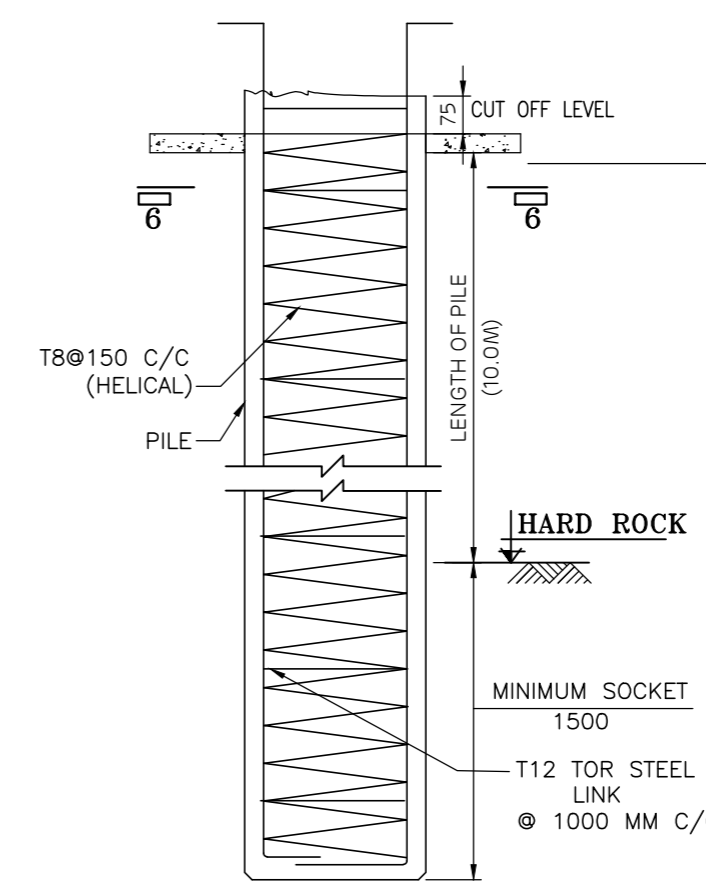
NOTE:- MINIMUM VALUE OF 'K' FOR HIGH STRENGTH DEFORMED BARS IS 4.

(90° BEND DETAILS)

(Scale-1:75)



C/S OF PILE SECTION 6-6



TYP. PILE SECTION FOR (Ø750 PILE FOR CRANE ANCHOR)

* D- Diameter of Pile [SCALE 1:25]

RELEASED FOR

- APPROVAL/REVIEW
- REFERENCE
- TENDER
- PROCUREMENT
- EXECUTION
- AS BUILT

CONTROLLED COPY STAMP

GOOD FOR CONSTRUCTION

PROJECT MANAGER

NOTES :

- ALL DIMENSIONS ARE IN 'MM'.
- DIMENSIONS SHALL NOT BE SCALED IN THIS DRG. ONLY WRITTEN DIMENSIONS ARE TO BE FOLLOWED.
- ALL CONCRETE MIX. SHALL BE M-30 UNLESS OTHERWISE SPECIFIED.
- ALL REINFORCEMENT Fe 500, SHALL CONFORM TO IS-1786-1985.
- STRUCTURE IS DESIGNED FOR G+ROOF
- ENSURE S.B.C. 11.7 T/M² AT 1.5M BELLOW EXISTING GROUND LEVEL .
- S.B.C. CONSIDER AT TOP OF WMM 30T/M²

REFERENCE DRAWINGS:

REVISIONS:

REV. NO.	DETAILS	DRN BY	CHKD BY	VERIFIED BY	DATE
R0	FIRST ISSUE	S.A.K.	D.C.K.	A.P.B.	14.12.2023
R1	REVISE AS PER CLIENT COMMENTS	S.A.K.	D.C.K.	A.P.B.	29.12.2023
R2					
R3					
R4					
R5					
R6					
R7					
R8					
R9					
R10					

CLIENT : MAZGAO DOCK SHIP BUILDERS LTD. NHAVA YARD, RAIGAD

CONSULTANT : **STRUCTWEL DESIGNERS & CONSULTANTS PVT. LTD**
 STRUCTWEL, PLOT NO-15, SECTOR-24, OFF SION PANVEL HIGHWAY, TURBHE, NAVI MUMBAI - 400 705.
 PHONE : 6854 1010
 FAX : 91-22-6854 1007

PROJECT TITLE :

SHORT TERM DEVELOPMENT AT MDL NHAVA YARD, RAIGAD

DWG. TITLE :

STRUCTURAL LAYOUT & DETAILS OF TRENCH

DRN. BY	S.A.K.	CHKD BY	D.C.K.	VERIFIED BY	A.P.B.
JOB NO.	SCALE	DATE			
23123	AS SPECIFIED	14-12-2023			
DRG NO.	SIZE	SHEET DETAILS		REV.	
STR/WD/003	A2	2 OF 2		R1	