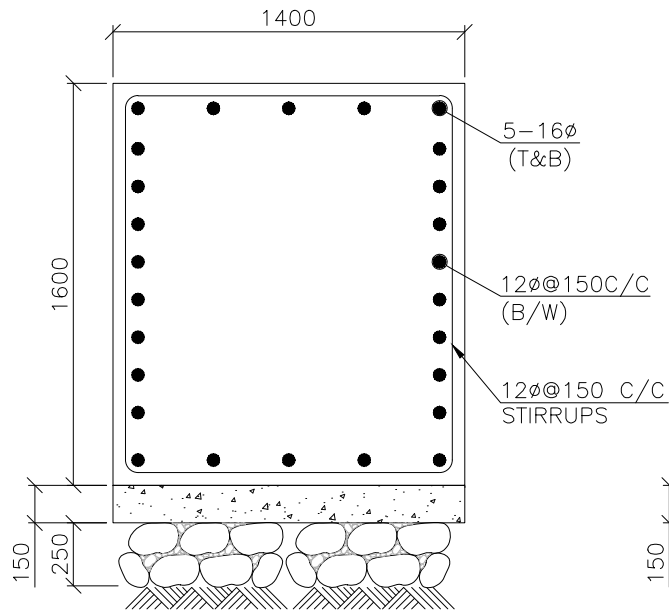
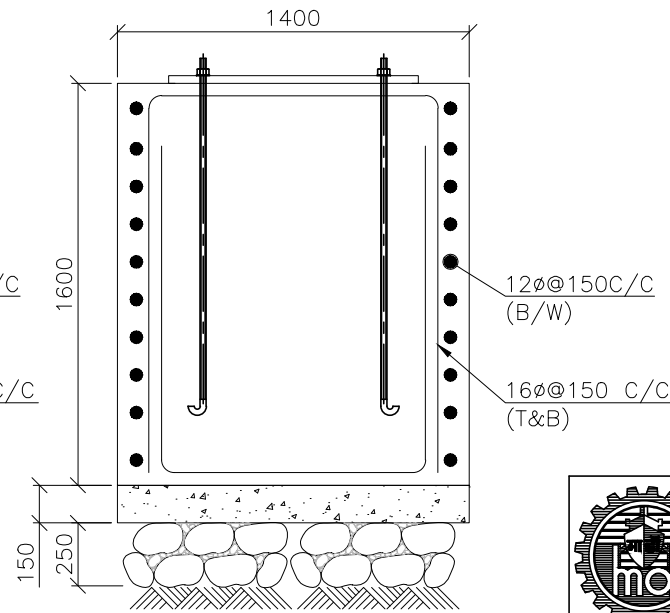


PLAN OF FOUNDATION

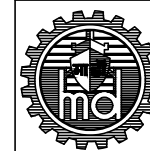


SECTION 1-1
(SCALE 1:25)



SECTION 1-1
(FOR STEEL COLUMN)
(SCALE 1:25)

1. GRADE OF CONCRETE - M40.
2. PCC GRADE - M15.
3. L CHAIR BAR - 10φ@1000 C/C.



MAZAGON DOCK SHIPBUILDERS LIMITED
DOCKYARD ROAD,
MUMBAI 400 010

| | | | |
|-------------|--|-------------------|------------|
| N | TITLE | | |
| | EXTENSION OF SOUTH YARD STEEL STORE SHED DETAIL OF FOUNDATION | | |
| DRAWN BY | VKR | DRAWING NUMBER: | |
| CHECKED BY | RDH | TS/CV/SY/SB/05/R0 | |
| APPROVED BY | - | DATE 19.07.2018 | SCALE: NTS |