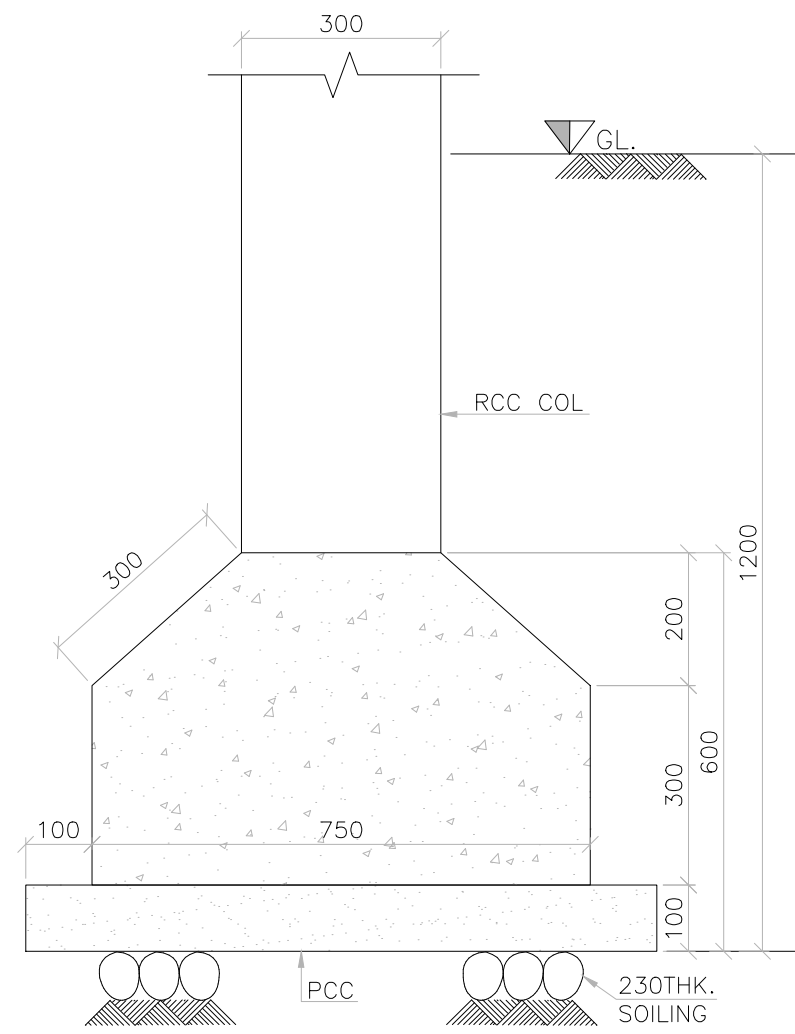
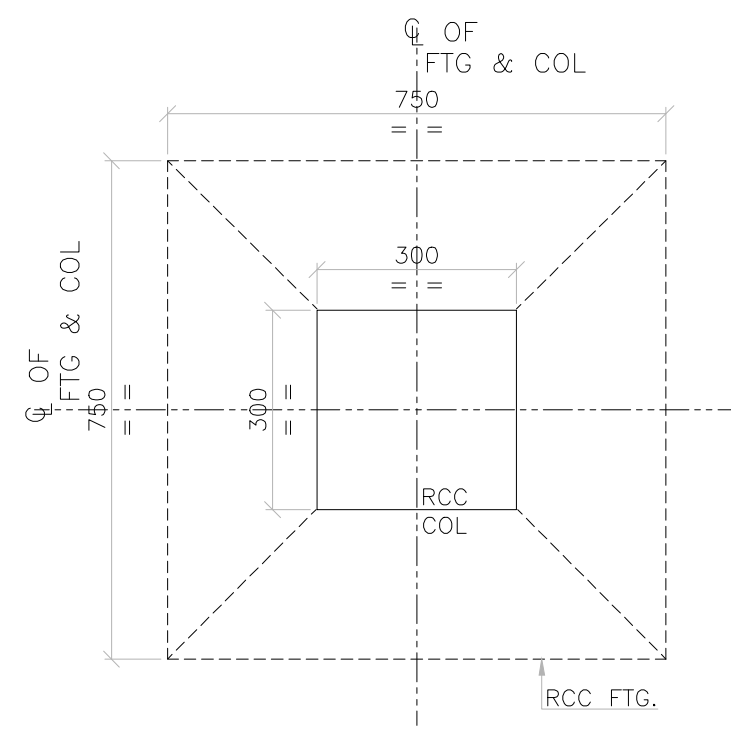


**LAYOUT OF FOOTING AND COLUMN**  
(SCALE 1:50)




**SECTION 1-1**  
(SCALE 1:10)


**LEGENDS:**

- GL. ----- GROUND LEVEL
- FTG. ----- FOOTING
- COL. ----- COLUMN
- THK. ----- THICK
- Q ----- CENTER LINE
- PCC ----- PLAIN CEMENT CONCRETE
- RCC ----- REINFORCEMENT CEMENT CONCRETE

**NOTES:**

1. ALL DIMENSIONS ARE IN MM UNLESS NOTED OTHERWISE.


**MAZAGON DOCK SHIPBUILDERS LIMITED**  
 DOCKYARD ROAD,  
 MUMBAI 400 010

N	TITLE		
	<b>LAYOUT OF CABIN AT STEEL STORE SHED SOUTH YARD</b>		
DRAWN BY	VKR	DRAWING NUMBER:	
CHECKED BY	RDH	TS/CV/SY/SB/01/R0	
APPROVED BY	-	DATE 11.05.2018	SCALE:1:50
			A3